

Main Features:-

- ◆ Bi-Directional Knife Gate Valve
- ◆ Actuated With A Double Acting Cylinder
- ◆ Wafer Threaded, PN10
- ◆ On/Off or Regulation
- ◆ Complete Sealed by Nitrile Elastomer Seat

*Temperature and pressure determined by valve body, seat etc.

Suitable Applications & Approvals:



WASTE



INDUSTRY



CERTIFIED



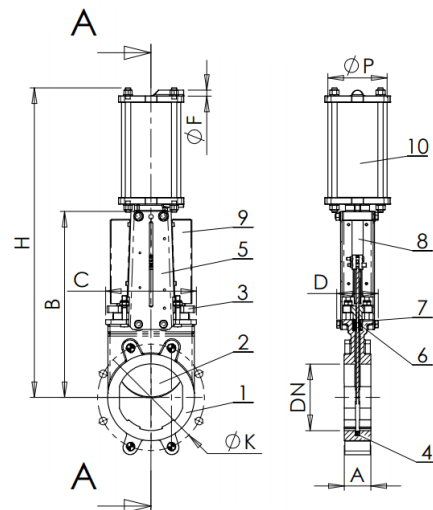
SERIES: 43022

MANUFACTURER: **Tecofi**
VALVE DESIGNER - FRANCE

VALVE DIMENSIONS

DN	SIZE	A	B	C	D	ØF	ØP	H	ØK			Kg
50	2"	40	240	124	83	1/4"	80	412	125	4	4xM16	7.5
65	2 1/2"	40	265	139	83	1/4"	80	458	145	4	4xM16	7.8
80	3"	50	290	154	83	1/4"	80	502	160	8	4xM16	8.4
100	4"	50	335	174	83	1/4"	100	562	180	8	4xM16	12.5
125	5"	50	373	189	93	1/4"	125	642	210	8	4xM16	16.4
150	6"	60	424	220	93	1/4"	125	718	240	8	4xM20	20.5
200	8"	60	533	275	108	1/4"	160	882	295	8	4xM20	35.8
250	10"	70	625	326	108	1/4"	200	1044	350	12	8xM20	52
300	12"	70	732	380	108	1/4"	200	1164	400	12	8xM20	72
350	14"	96	835	438	290	3/8"	250	1362	460	16	10xM20	129
400	16"	100	945	494	290	3/8"	250	1542	515	16	10xM24	144

No	Description	Material
1	Body	EN-GJL-250
2	Packing	PTFE
3	Gate	SS X5CrNi 18-10
4	Stem	SS 13%Cr
5	Support Plate	Steel + Epoxy
6	Pneumatic Actuator	Aluminium
7	Packing Gland	Ductile Iron
8	Gasket	Nitrile
9	Support Ring	SS 316
10	O'Ring	Nitrile
11	Protection Plate	SS 304



T +44 (0)1386 552369

E sales@allvalves.co.uk

W www.allvalves.co.uk

F +44 (0)1386 554227



MANUFACTURER: **Tecofi'**
VALVE DESIGNER - FRANCE

SERIES: 43022

TEMPERATURE AND PRESSURE & MATERIALS

DN	Max Working Pressure	APPLICATION:
DN50-200	10 Bar	Applications; <ul style="list-style-type: none"> • Pulp and Paper • Water • Water Treatment • Biogas • Chemical • Powder • Slurry and Waste
DN250	7 Bar	
DN300	6 Bar	
DN350-400	4Bar	

ALL VALVES ONLINE

Offering a full range of actuated valve packages, manual valve range, pipe fittings and pumps, we have a product for all your requirements. As an ISO 9001-2015 Quality Approved and certified company, All Valves offer a quality service from pre-sale to post sale. Shipping millions of pounds in value of manual valve and actuated valve packages all over the world since its formation, All Valves are a trusted valve and actuator supplier to many companies all over the world. Working with the leading brands in most industries.



T +44 (0)1386 552369

E sales@allvalves.co.uk

W www.allvalves.co.uk

F +44 (0)1386 554227